

PMD 781A

Modular radio frequency probe

Features:

- Modular Construction
- Coaxial Design
- Interchangeable Spring Contact Tip
- IC Contacting System 0.5 to 1.27 mm pitch



The PMD 781A is a 100 kHz to 750 MHz, standard sized, radio frequency probe designed for instruments having 10 M Ω input resistance. This type of probe is recommended for general purpose probing applications. All passive probes are equipped with PMKs signature spring loaded, needle sharp tips to support precise and safe measurements minimizing the risk of slipping off the board. Various types of tips are available. Besides the spring contact tips there is also a solid tip available at the users choice. Probe tips are interchangeable and can be replaced easily.

Basic probe accessories and replacement tips are provided within the scope of delivery or can be purchased separately. The probes mechanical construction is modular and therefore spare probe leads are available. See this data-sheet and corresponding documents for further details.

PMD 781A

Datasheet

This datasheet supersedes all previously published material. Specifications that are not marked as guaranteed are published as general information to the user. The instrument should have warmed up for at least 20 minutes and the environmental conditions must not exceed the specified limits of the probe. Note that specifications are subject to change without notice.

To be used with any oscilloscope, with an input impedance of 1 M Ω . The output is 1 V DC for an input of 1 V AC rms sine wave with a basic accuracy of 1dB.

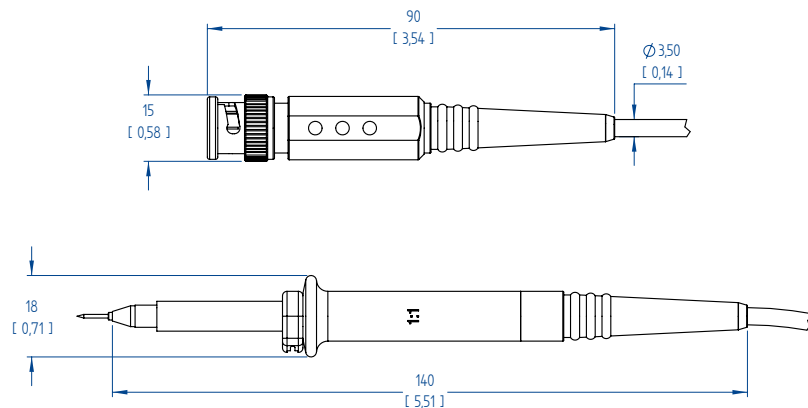
Technical Specifications

± 1 dB Bandwidth ⁽¹⁾	100 kHz to 500 MHz
± 3 dB Bandwidth ⁽¹⁾	100 kHz to 750 MHz
Input Capacitance	5 pF
Maximum Rated Input Voltage	30 V AC / 60 V DC
Diode DC-Insulation (test-voltage)	200 V DC (incl. Peak AC)
Diode Turn-On Voltage	250 mV

If possible, the probe should be connected to the test point using the BNC adapter supplied to optimize the V.S.W.R. If the ground connection cannot be made using the BNC adapter, connect the ground lead as close as possible to the test point in order to minimize stray inductances.

Mechanical Characteristics

Weight (probe only)	49 g
Cable Length	1.2 m
Probe Tip Diameter	5 mm



(1) 1 V AC rms sine wave

Environmental Specifications

<i>Altitude</i>	operating	up to 2000 m
	non-operating	up to 15000 m
<i>Temperature Range</i>	operating	0 °C to +50 °C
	non-operating	-40 °C to +71 °C
<i>Maximum Relative Humidity</i>	operating	80% relative humidity for temperatures up to +31 °C, decreasing linearly to 40 % at +50 °C

WEEE/ RoHS Directives

PMK electronic products are classified within the WEEE/ RoHS* category list as monitoring and control equipment (category 9). Category 9 products are exempt from the restrictions under the scope of the RoHS directive.

Your help and efforts are required to protect and keep clean our environment. Therefore return any electronic product at the end of its life either to Service Department of PMK Mess- und Kommunikationstechnik GmbH or take care of separate WEEE collection and professional WEEE treatment yourself. Do not dispose as unsorted municipal waste.

* EC Directives:

WEEE Directive 2002/96/EC	–	Waste Electrical and Electronic Equipment
RoHS Directive 2002/95/EC	–	Restriction of the use of certain Hazardous Substances in Electrical and Electronic Equipment



Ihr Spezialist für
Mess- und Prüfgeräte



PMD 781A

Datasheet

Scope of Delivery PMD 781A Order No. 870-781-A00

- BNC Adapter 5.0
- Ground Blade 5.0
- Ground Lead 22 cm
- Ground Spring 2.5
- IC-Caps 0.8 to 1.27 mm pitch
- Instruction Manual
- Insulating Cap 5.0
- Probe
- Protection Cap 5.0
- Solid Tip 0.8 mm
- Spring Tip 0.8 mm

Safety Information

To avoid personal injury and to prevent fire or damage to this product or products connected to it, review and comply with the safety informations stated in the manual before using this product. Be aware that if you use this probe assembly in a manner not specified the protection this product provides may be impaired.